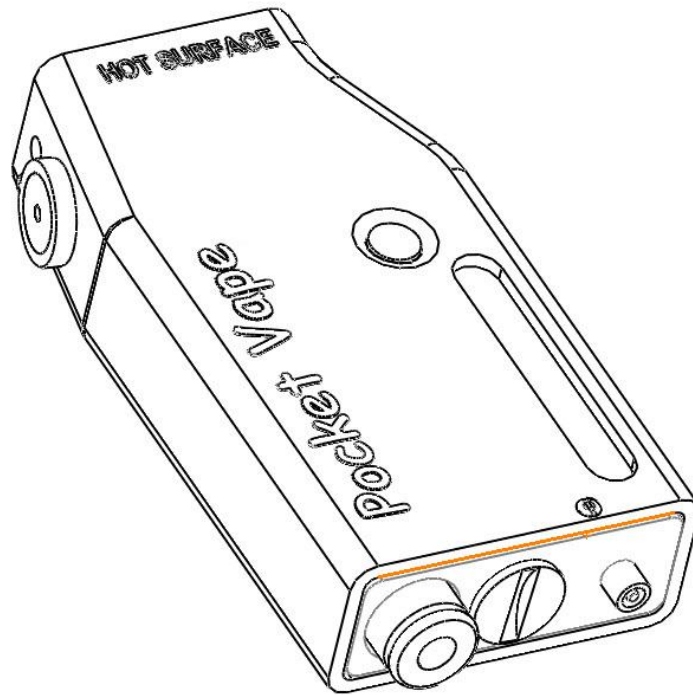


Rock Sci LLC

# Pocket Vape

Portable Vaporizer



## Operating Manual

Read carefully before using this device.

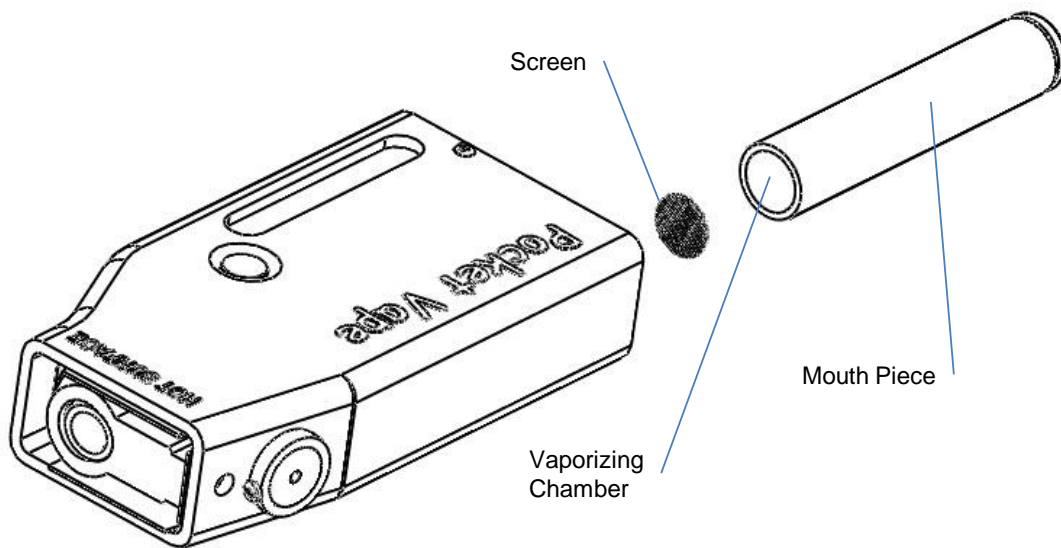
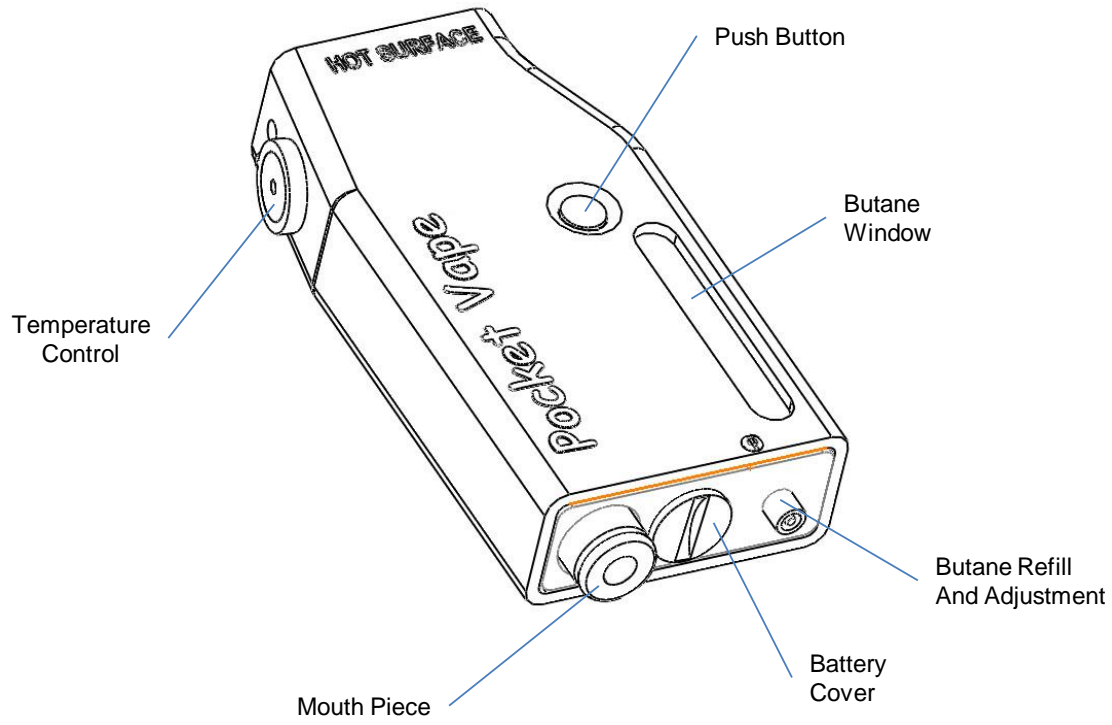
# Table of Contents

## Contents

Product Overview .....	3
Safety Instructions .....	4
General.....	5
Operation .....	6
Butane Filling.....	6
Filling Vaporizing Chamber .....	6
Vaporizing Chamber Screen.....	7
Adjusting Butane Flame .....	8
Vaporization.....	8
Temperature Control .....	8
Clearing the Vaporizing Chamber .....	9
Maintenance .....	10
Battery Replacement .....	10

# Product Overview

---



## Safety Instructions

**Warning:** The Pocket Vape contains pressurized flammable liquid/gas. Read the following safety information carefully and completely before operating this device! This manual is a significant part of the vaporizer and must be provided to the user.

The packing materials (plastic bags, Styrofoam materials, boxes etc.) must be kept out of the reach of children.

Keep the Pocket Vape out of reach of children.

Do not drop the Pocket Vape or ceramic mouthpiece.

Do not puncture or incinerate

Do not touch or put anything in front of the Pocket Vape during operation.

Do not touch ceramic tip after operation.

## General

Although this vaporizer can be adjusted to vaporize many plant materials, for purposes of this manual, the vaporization material will be referred to as tobacco. Some other legal vaporization materials include but are not limited to eucalyptus, milk thistle, thyme, chamomile, hops, sage, etc.

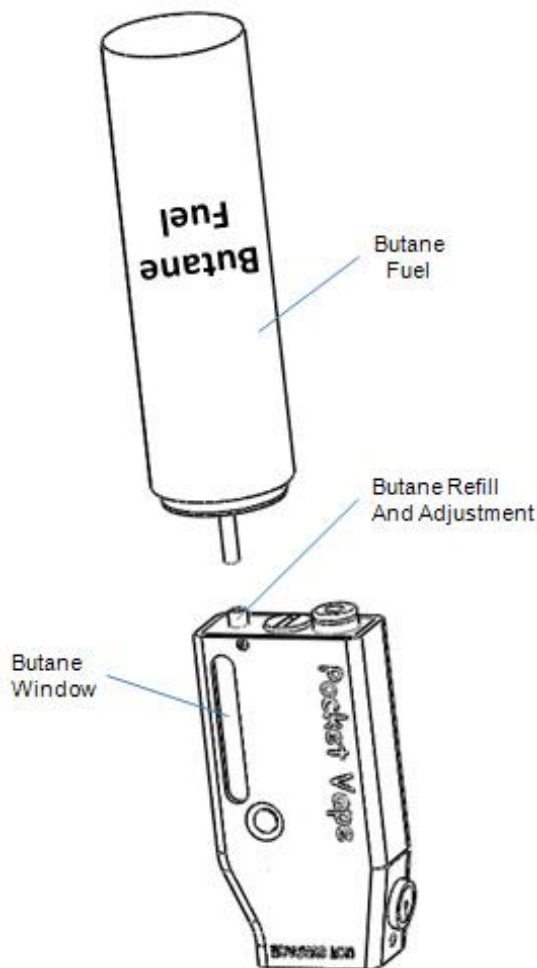
PRELIMINARY

# Operation

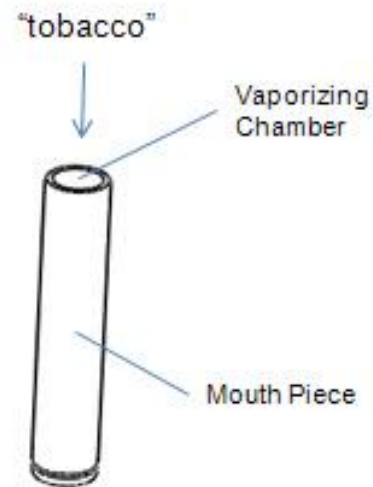
If an illustration is not provided, refer to the product overview to locate the feature being discussed.

## Butane Filling

Check the butane level using the Butane Window. Verify that the Pocket Vape is at least partially filled with butane. If the Pocket Vape is low or out of butane, fill with butane via the butane fill valve just like any other refillable butane lighter. The Pocket Vape may need to cool before being refilled. This is due to a difference in vapor pressure caused by temperature.



With the mouth piece removed, fill the vaporizing chamber with tobacco. Be careful not to overfill the vaporizing chamber as this will restrict air flow.



One method of filling the vaporizing chamber is to inhale through the mouth piece while using the front end of the mouth piece as a vacuum to fill the vaporizing chamber. This method works best with tobacco that has been ground prior to vaporizing.

The mouth piece can also be filled directly by placing the mouth piece into a bag of tobacco as it is usually kept this way.

Ground tobacco usually provides a more efficient fill of the vaporizing chamber and makes use of the screen to keep tobacco from being inhaled.

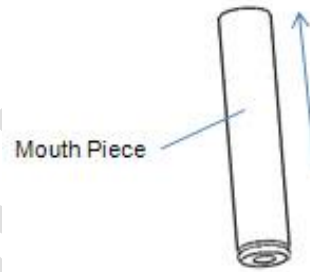
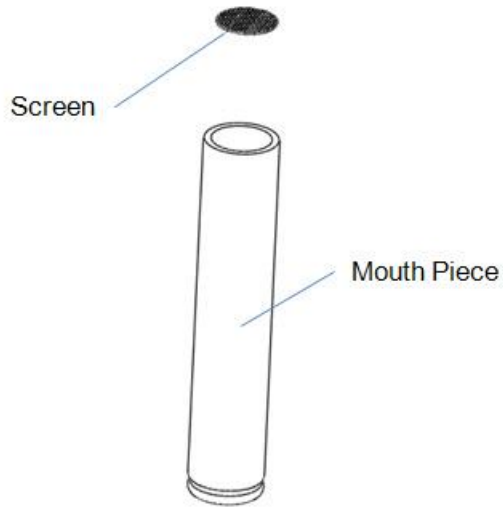
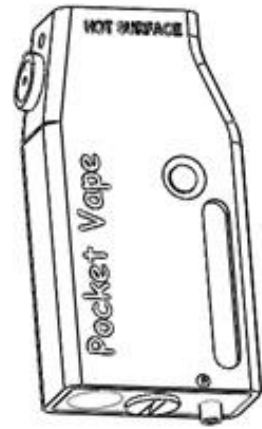
## Filling Vaporizing Chamber

Next, remove the mouthpiece by simply pulling it straight out from the vaporizer, as seen on the exploded view in the Product Overview section.

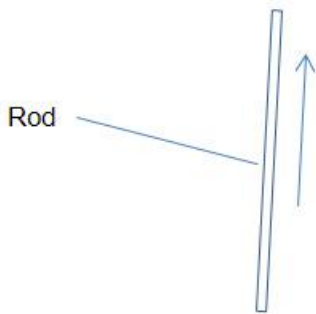
## Vaporizing Chamber Screen

Larger un-ground pieces of tobacco can also be used with or without the screen to fill the vaporizing chamber.

The screen provided with the Pocket Vape can be removed for cleaning or replacement by using any long thin instrument e.g. toothpick, unwound paper clip.



Next is the adjustment of the butane flame.

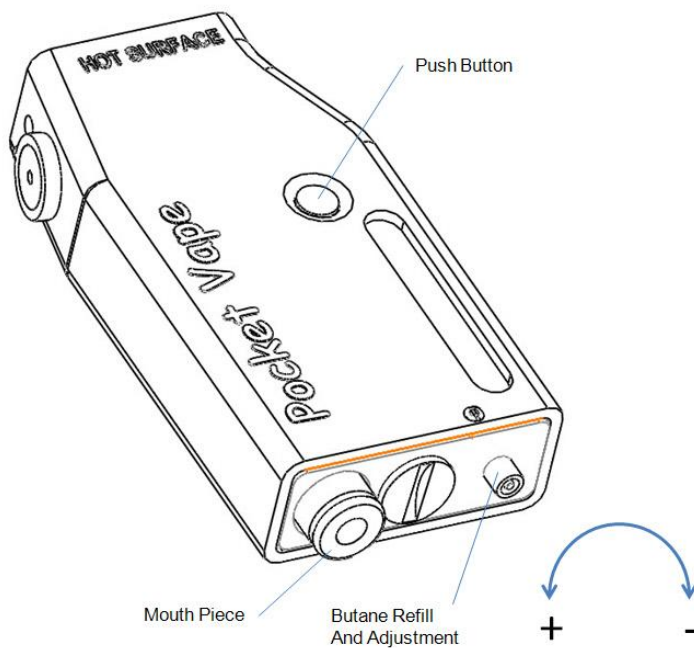


Once the vaporizing chamber is filled with tobacco reinsert the mouth piece into the vaporizer.

## Adjusting Butane Flame

Push and hold the Push Button and verify that the front of the Pocket Vape is lit. The flame should be about ½ inch long. The flame size can be adjusted using the Butane Refill and Adjustment screw. Turning counterclockwise increases the flame and clockwise reduces the flame. This can be fine tuned to match the inhale rate. Faster inhale rates will require a larger flame than slower inhale rates.

Now the Pocket Vape is ready to use. Keep in mind this is an on demand vaporizer. This means there is no warm up time, no bags to fill just push the Push Button and go.



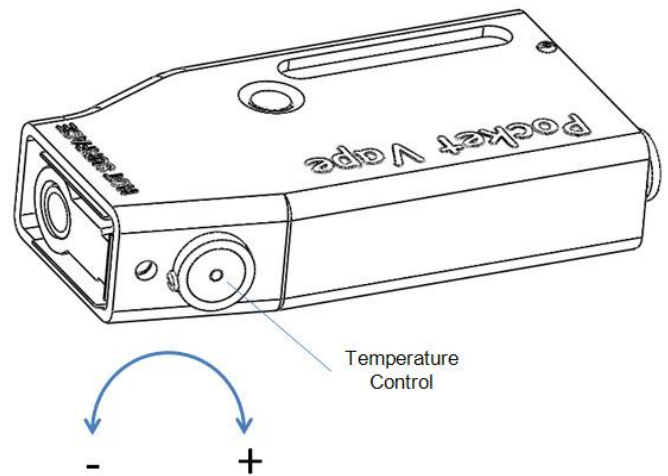
## Vaporization

To vaporize, push and hold the Push Button, verify that the front of the Pocket Vape is lit. Then lightly press lips against the Mouth Piece and inhale vapor. Release Push Button when finished inhaling. Based on the inhaled vapor, the temperature may need to be adjusted. (See next section) Otherwise, that's it just press and vaporize.

## Temperature Control

The vaporizing temperature is controlled by the Temperature Control knob. The Pocket Vape uses a proprietary closed loop control mechanism to provide reliable and repeatable air temperature control.

Unlike vaporizers that require a warm up time the Pocket Vape can be adjusted to a new temperature at anytime, even while inhaling. The adjustment is immediately effective and the Pocket Vape will adjust to the new vaporizing temperature.



To increase the vaporizing temperature, turn the Temperature Control Knob Clockwise. To decrease the vaporizing temperature, turn the Temperature Control Knob counterclockwise.

The Temperature Control Knob will freely rotate approximately six (6) rotations between minimum and maximum temperature. **Do not force the Temperature Control Knob beyond this range of free movement. Forcing the Temperature Control Knob beyond this free movement will damage the Pocket Vape!**

Once the desired vaporizing temperature has been achieved, the Temperature Control Knob does not need to be adjusted.

Of course, use of a different tobacco may require a temperature adjustment to maximize vaporization.



## Clearing the Vaporizing Chamber

The Vaporizing Chamber was intentionally designed to be small so that the tobacco would be fully vaporized quickly and could be replaced with fresh tobacco for the next vaporization.

Once the tobacco is fully vaporized or fresh tobacco is desired, remove the mouthpiece as described earlier.

One technique to remove the consumed tobacco is to angle the Mouth Piece downward and tap the middle of the Mouth Piece against the case of the Pocket Vape.

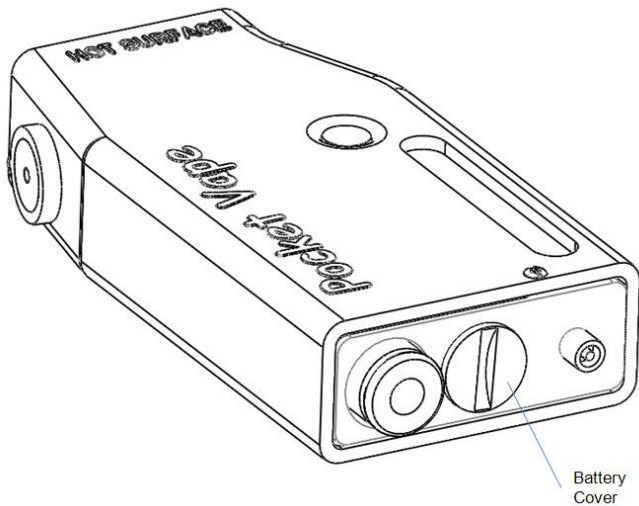
**Do not tap the Vaporizing Chamber end directly against the case of the Pocket Vape because this section of the Mouth Piece is thin walled and much more fragile than the middle of the Mouth Piece.**

Another technique is to blow out through the Mouth Piece. This technique will result in a shower of consumed tobacco and may not be desired in some situations.

# Maintenance

## Battery Replacement

The Pocket Vape uses a CDI (capacitor discharge ignition) system to ignite the butane torch. To supply energy to this system the Pocket vape uses a 12 volt A23 size battery.



To replace the battery, use a small coin or a flat head screw driver to unscrew (counterclockwise) the Battery Cover. Remove expired battery. Insert new battery with the positive terminal facing the Battery Cover. Then reinstall the Battery Cover using a small coin or a flat head screw driver. **Be careful not to over tighten the Battery Cover.**